

gridbots



GRIDBOTS
STINGER
PIPELINE ROBOT

GRIDBOTS STINGER PIPELINE ROBOT

Stinger is a pipeline operations robot which can be used to inspect and perform operations in various sizes of pipes ranging from 50 mm to 5000 mm in diameter of any material.

The robot can work in extreme environments and it Ip68 rated. It can carry payloads ranging from 1 Kg to 500kg inside the pipelines both vertically and horizontally. The robot comes equipped with twin water proof HD camera's and 3D sensing scanner to build pipe profiles in 3D in realtime.

The robot can work both in completely auto and manual modes and can be used for grinding, painting, welding ,cutting, lapping or retrieval operations from the pipelines.

TECHNICAL SPECIFICATIONS

Model Number
GB-PIPER-SG

Length Range
500-3000 mm [Various Models]

Height
150-3000mm [Various Models]

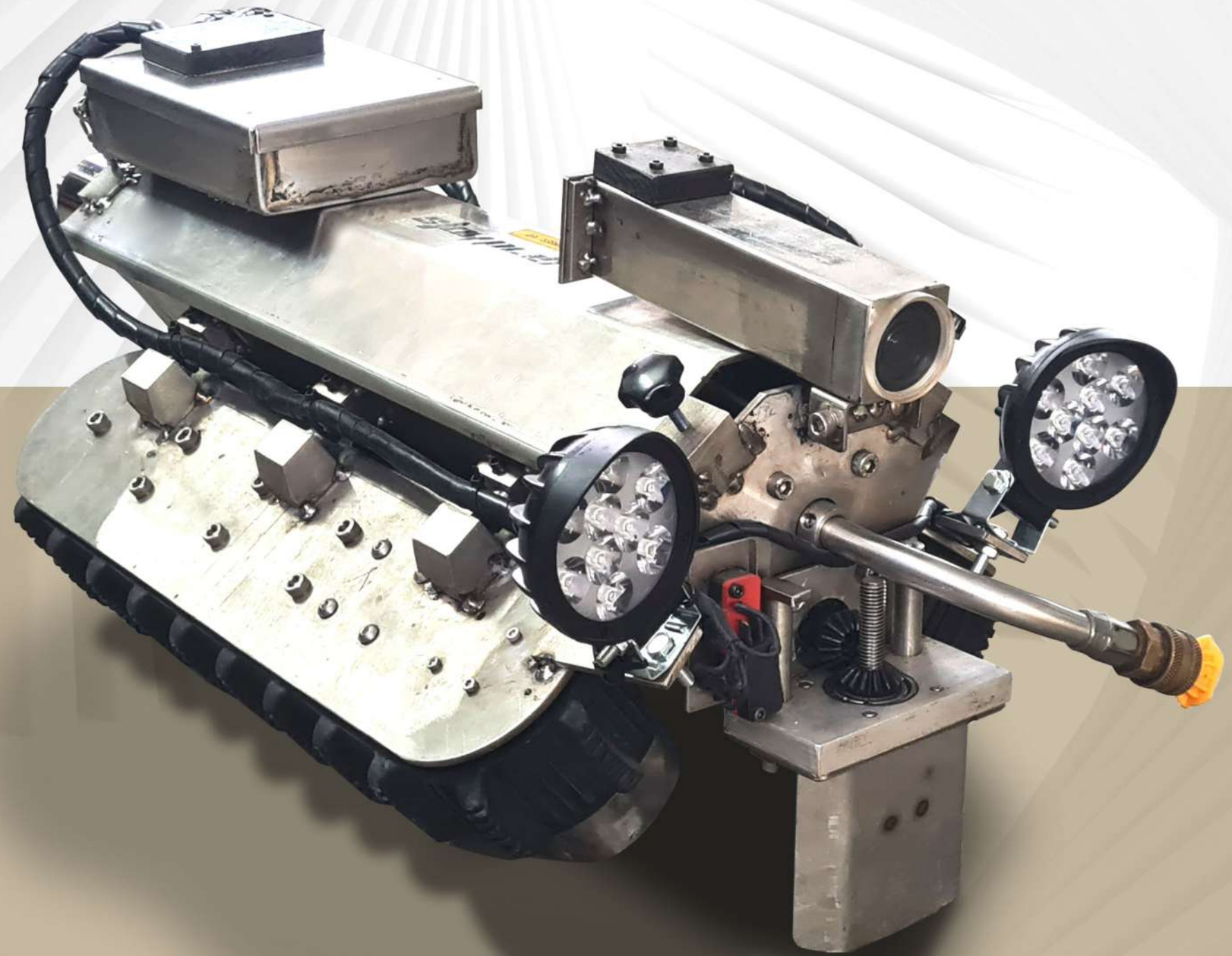
Width
150-3000mm [Various Models]

Build Material
Stainless Steel-316

Camera
Twin - Night Vision HD Cameras

Umbilical Cable Length
20 Meters [Customizable]

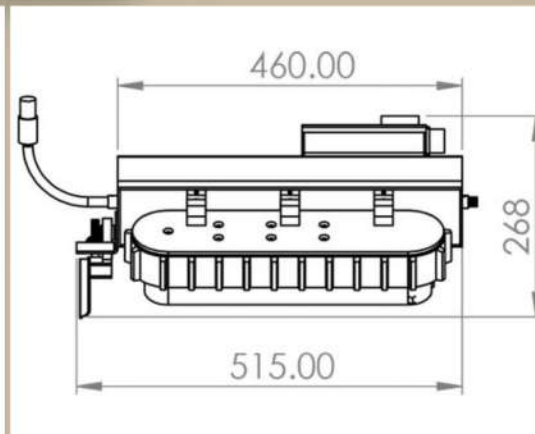
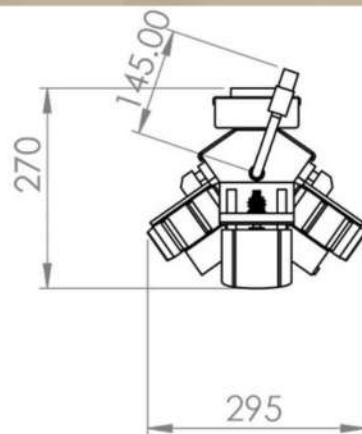
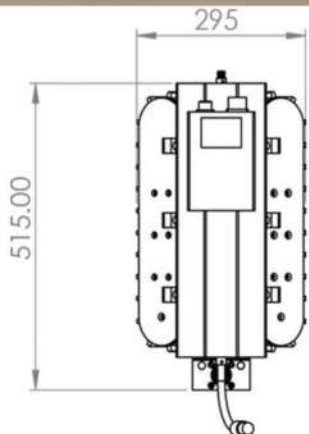
Tool Mounting Platform
100 mm X-Y Travel and 360 Degree
endless rotation
[Additional Tilt Platform Option]





FEATURES

- Portable and Battery Operated
- 1 Kg to 500 Kg Payload capable
- IP68 Rated
- Twin HD Camera Feeds
- Tethered Keval Cable
- 3 DOF Platform for tool mounting
- Vertical and Horizontal Ops
- 50mm-5000mm Pipes Supported with bends





GRIDBOTS TECHNOLOGIES PVT. LTD.

Main Office Address

Office #306, Maharana Pratap Complex, Behind V.S. Hospital,
Ashram Road, Ahmedabad - 380006, Gujarat, India.

Factory Address

59, MahaGujarat Industrial Estate, Behind Surbhi Dining Hall,
Sarkhej Bavla Road, Moraiya, Ahmedabad - 382213, Gujarat, India.

Contact

M. :+919924826584

Email Id : contact@gridbots.com

Website : www.gridbots.com

